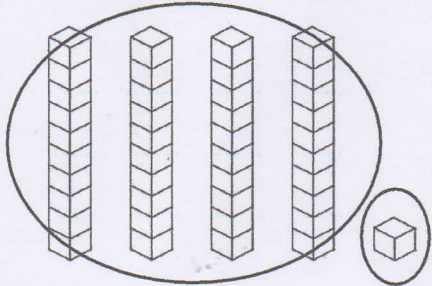
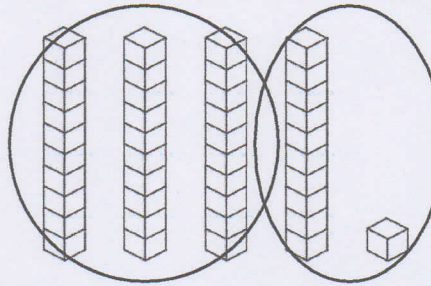
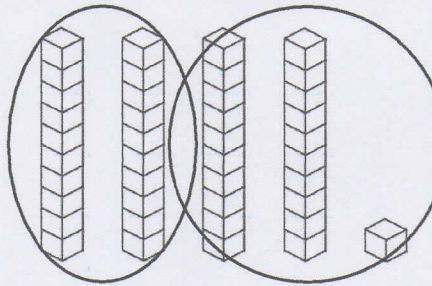


Complex Partitioning

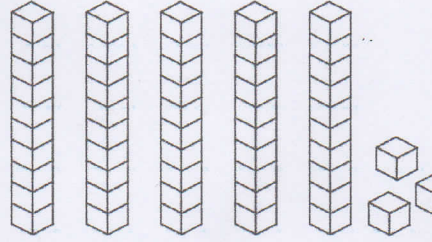
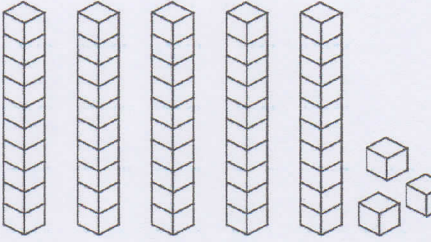
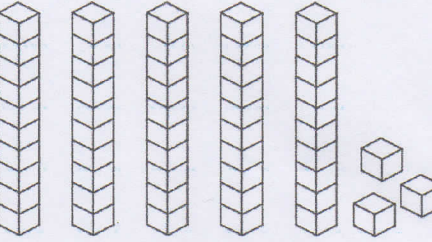
I can partition 2-digit numbers in different ways.

Partition each 2-digit number in 3 different ways. Draw rings around the tens and ones to help.

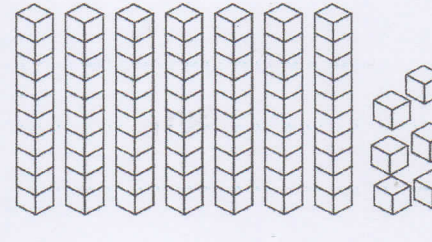
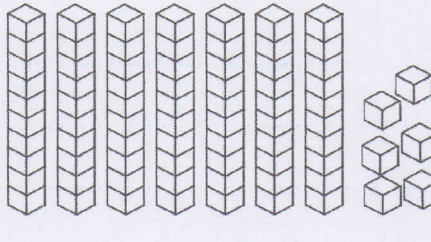
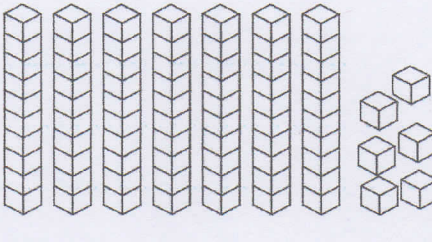
Here is an example:

		
$41 = 40 + 1$	$41 = 30 + 11$	$41 = 20 + 21$

1.

		
$53 =$	$53 =$	$53 =$

2.

		
$76 =$	$76 =$	$76 =$